

Ameron

Centrecon M-Series Octagonal Pole - Embedded

Also available in base plate style.

Ameron Centrecon M-Series prestressed, spun-cast concrete lighting poles provide the strength required for shopping centers, parking lots, green belts or other areas requiring decorative and roadway lighting. Application can be post top, mast arm or side mounted. These strong, durable poles are available in various aggregates and finishes.

Features and Benefits

- Prestressed steel and highest quality concrete are centrifugally cast for ultimate strength, durability, and vibration resistance
- Natural stone and terrazzo aggregates maintain a like-new appearance with virtually no maintenance
- Conforms to applicable sections of ACI, AASHTO, ASTM and PCI standards
- Exclusive 10-year warranty

Colors and Finishes

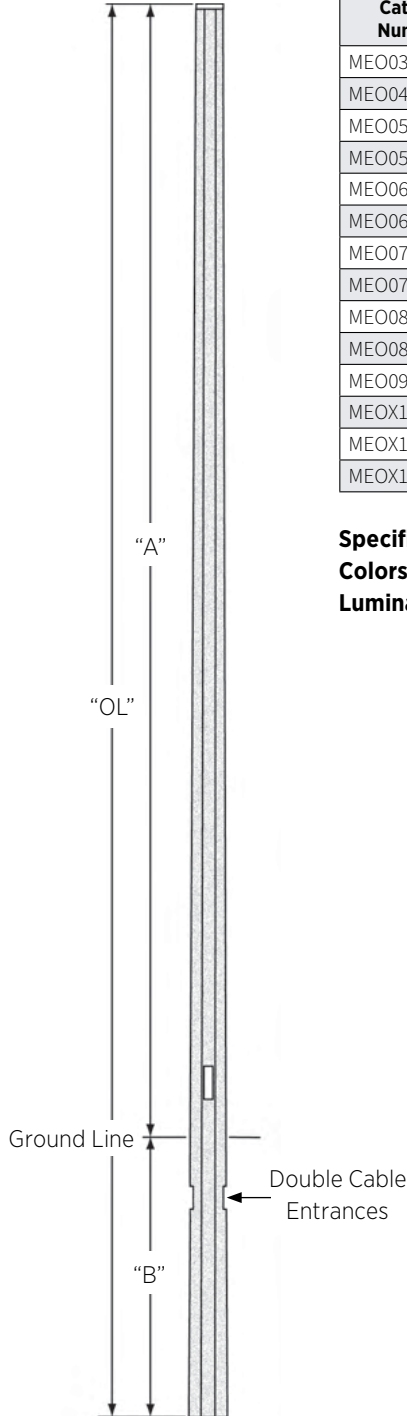
A wide range of standard, pre-formulated and custom colors are available. The concrete shafts are lightly blasted to expose the texture and beauty of the natural stone. See separate Aggregates and Finishes sheet for details. We offer Amerishield™ a premium graffiti-resistant coating, as well as other durable sealers and protectants that further enhance colors, protect the concrete surface and aid in the removal of graffiti.

Durability with a classic touch.



Ameron Centrecon M-Series Octagonal Pole - Embedded

5-1/8" TOP O.D.
Across the flats



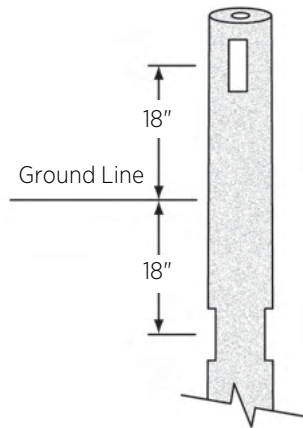
Embedded style - information

Catalog Number	Pole Height "A"	Bottom OD	Embedded Depth "B"	Overall Length "OL"	Ultimate G.L. Moment (ft. lbs.)	Pole Weight (lbs.)
MEO03	9'-10"	6-13/16"	4'-3"	14'-1"	15,450	380
MEO04.6	15'-0"	7-1/2"	4'-8"	19'-8"	12,840	575
MEO05	16'-5"	7-1/2"	4'-3"	20'-8"	15,450	690
MEO05.5	18'-0"	7-7/8"	5'-0"	23'-0"	17,000	720
MEO06	19'-7"	8"	4'-3"	23'-10"	17,440	750
MEO06.5	21'-3"	8-3/16"	5'-0"	26'-3"	18,235	870
MEO07	23'-0"	8-3/8"	4'-7"	27'-7"	19,030	900
MEO07.5	24'-7"	8-9/16"	4'-11"	29'-6"	19,910	980
MEO08	26'-3"	8-13/16"	4'-11"	31'-2"	20,790	1,100
MEO08.5	27'-11"	9"	4'-11"	32'-10"	21,660	1,250
MEO09	29'-6"	9-1/4"	5'-3"	34'-9"	22,540	1,300
MEOX10	32'-10"	9-3/4"	5'-7"	38'-5"	30,900	1,500
MEOX10.6	34'-8"	10"	5'-11"	40'-7"	32,500	1,600
MEOX11.1	36'-6"	10-1/4"	6'-6"	43'-0"	33,900	1,700

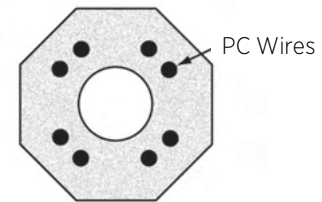
Specifications: Use Centrecon Specifications

Colors and finishes: See Centrecon color selection guide

Luminaire mounting: See Mounting Options section for more information



Elevation



Shaft cross section detail