



Durability with a classic touch.

Available in
base plate and
embedded styles.

Features and Benefits

- Prestressed steel and highest quality concrete are centrifugally cast for ultimate strength and long-term durability
- Natural stone and terrazzo aggregates maintain a like new appearance with virtually no maintenance
- Conforms to applicable sections of ACI, AASHTO, ASTM and PCI standards
- Exclusive 10-year warranty

Colors and Finishes

A wide range of standard, pre-formulated and custom colors are available. The concrete shafts are lightly blasted to expose the texture and beauty of the natural stone. See separate Aggregates and Finishes sheet for details. We offer Amerishield™, a premium graffiti-resistant coating, as well as other durable sealers and protectants that further enhance colors, protect the concrete surface and aid in the removal of graffiti.

Victorian VI Pole

This versatile Victorian pole has a slightly tapered, octagonal shaft and an architectural detail step base. Appropriate for period architectural styles and more contemporary surroundings, this pole recaptures the ornamental designs of the turn of the century.

Our Victorian Series lighting poles combine the charm of yesterday with the technology of today. Available in a variety of configurations, colors and finishes, the Victorian Series provides architects and designers with many creative options.

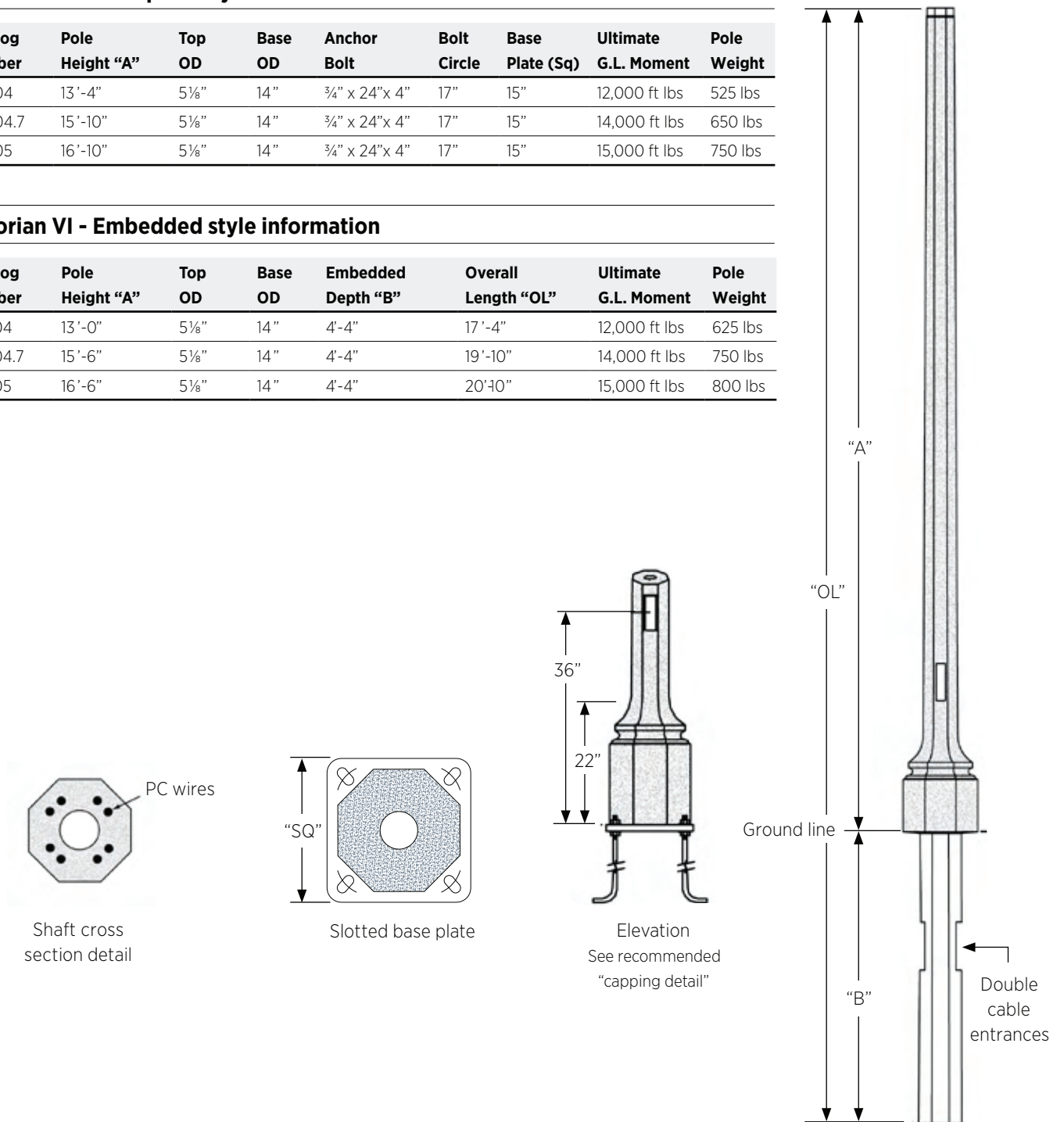
Victorian VI - Base plate style information

Catalog Number	Pole Height "A"	Top OD	Base OD	Anchor Bolt	Bolt Circle	Base Plate (Sq)	Ultimate G.L. Moment	Pole Weight
VBK04	13'-4"	5 1/8"	14"	3/4" x 24"x 4"	17"	15"	12,000 ft lbs	525 lbs
VBK04.7	15'-10"	5 1/8"	14"	3/4" x 24"x 4"	17"	15"	14,000 ft lbs	650 lbs
VBK05	16'-10"	5 1/8"	14"	3/4" x 24"x 4"	17"	15"	15,000 ft lbs	750 lbs

Victorian VI - Embedded style information

Catalog Number	Pole Height "A"	Top OD	Base OD	Embedded Depth "B"	Overall Length "OL"	Ultimate G.L. Moment	Pole Weight
VEK04	13'-0"	5 1/8"	14"	4'-4"	17'-4"	12,000 ft lbs	625 lbs
VEK04.7	15'-6"	5 1/8"	14"	4'-4"	19'-10"	14,000 ft lbs	750 lbs
VEK05	16'-6"	5 1/8"	14"	4'-4"	20'-10"	15,000 ft lbs	800 lbs

Top OD across the flats



Specifications - Use Centrecon specifications

Colors and finishes - See Centrecon color selection guide

Luminaire mounting - See mounting options section for more information

Anti-graffiti and sealer - Optional coatings are available for added protection