

Ameron Tall Washington Poles

Available in base plate and embedded styles

In 1910 the Commission of Fine Arts in Washington D.C. designed the classically fluted lighting standard on which our Washington pole is based. Our Tall Washington is made from prestressed spun-cast concrete and will retain its beauty for many years, even in severe weather conditions.

Features and Benefits

- Prestressed steel and highest quality concrete are centrifugally cast for ultimate strength and durability
- Natural stone and terrazzo aggregates maintain a like-new appearance with virtually no maintenance
- Conforms to applicable sections of ACI, AASHTO, ASTM, and IBC standards
- Exclusive 10-year warranty

Colors and Finishes

A wide range of standard, preformulated, and custom colors are available. The concrete shafts are lightly blasted to expose the texture and color of the natural stone. See separate aggregates and finishes sheet for details. We offer Amerishield, a premium graffiti-resistant coating, as well as other durable sealers and protectants that further enhance colors, protect the concrete surface, and aid in the removal of graffiti.

Durability with a classic touch



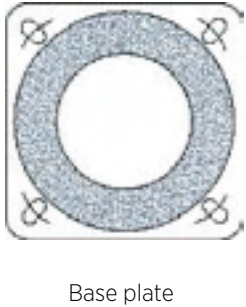
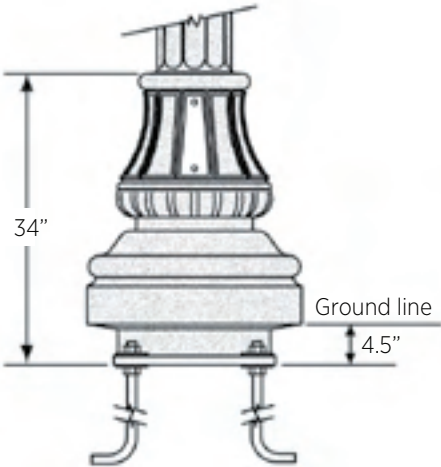
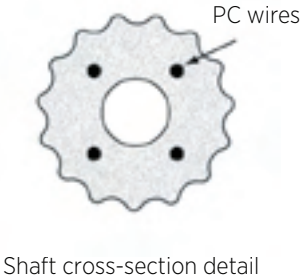
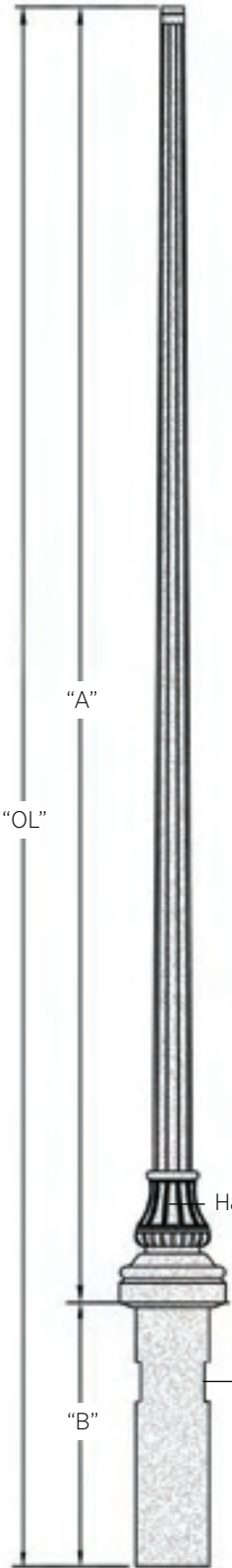
Base plate style - Information

Catalog number	Pole height "A"	Base OD	Anchor bolt	Bolt circle	Base plate (Sq)	Ultimate GL moment (ft/lb)	Pole weight (lb)
VBWX07.5	24' 7"	24"	1" x 36" x 6"	20"-21"	18"	24,300	1,300
VBWX09.0	29' 6"	24"	1" x 36" x 6"	20"-21"	18"	28,200	1,400

Embedded style - Information

Catalog number	Pole height "A"	Base OD	Embedded depth "B"	Overall length "OL"	Ultimate GL moment (ft/lb)	Pole weight (lb)
VEWX07.5	24' 7"	24"	4' 11"	29' 6"	24,300	1,800
VEWX09.0	29' 6"	24"	4' 11"	34' 5"	28,200	1,900

- Specifications:** Use Contemporary specifications.
- Colors and Finishes:** See Contemporary color selection guide.
- Luminaire Mounting:** See technical-mounting options section for more information.
- Anti-graffiti and sealer:** Optional coatings available for added protection.



Elevation
See recommended "capping detail"