



Durability with a classic touch.

Available in
base plate and
embedded styles.

Features and Benefits

- Prestressed steel and highest quality concrete are centrifugally cast for ultimate strength and long-term durability
- Natural stone and terrazzo aggregates maintain a like new appearance with virtually no maintenance
- Conforms to applicable sections of ACI, AASHTO, ASTM and PCI standards
- Exclusive 10-year warranty

Colors and Finishes

A wide range of standard, pre-formulated and custom colors are available. The concrete shafts are lightly blasted to expose the texture and beauty of the natural stone. See separate Aggregates and Finishes sheet for details. We offer Amerishield™, a premium graffiti-resistant coating, as well as other durable sealers and protectants that further enhance colors, protect the concrete surface and aid in the removal of graffiti.

Victorian X Pole

Eight crisp lines ascend and outline our classic Victorian X pole. The stately triple step base dramatically contours to an elegantly tapered octagonal shaft.

The Victorian X is available in a range of sizes from 17-foot to nearly 30-foot above grade. The Victorian X is well suited for bustling streetscapes, narrow walkways and everything in between. Our Victorian Style prestressed, spun-cast concrete lighting poles combine the charm of yesterday with today's technology.

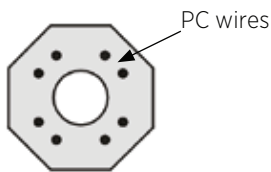
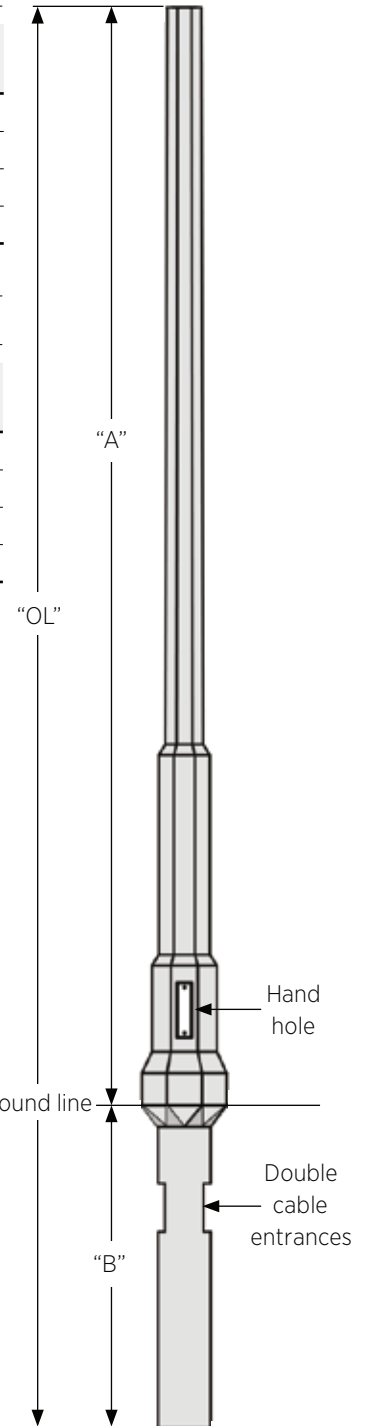
Victorian X - Base plate style information

Catalog Number	Pole Height "A"	Base OD	Anchor Bolt	Bolt Circle	Base Plate (Sq)	Ultimate G.L. Moment	Pole Weight
VBD05.2	17'-0"	15¾"	¾" x 24"x 4"	19"	17"	26,700 ft lbs	980 lbs
VBD06.1	20'-0"	15¾"	¾" x 24"x 4"	19"	17"	26,700 ft lbs	1050 lbs
VBD07.5	24'-7"	15¾"	1" x 36"x 4"	19"	17"	30,900 ft lbs	1200 lbs
VBD09.0	29'-6"	15¾"	1" x 36"x 4"	19"	17"	30,900 ft lbs	1470 lbs

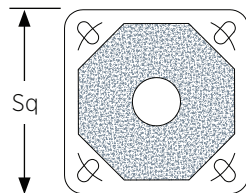
Victorian X - Embedded style information

Catalog Number	Pole Height "A"	Base OD	Embedded Depth "B"	Overall Length "OL"	Ultimate G.L. Moment	Pole Weight
VED05.2	17'-0"	15¾"	5'-0"	22'-0"	26,700 ft lbs	1170 lbs
VED06.1	20'-0"	15¾"	5'-0"	25'-0"	26,700 ft lbs	1240 lbs
VED07.5	24'-7"	15¾"	5'-0"	29'-7"	30,900 ft lbs	1390 lbs
VED09.0	29'-6"	15¾"	5'-0"	34'-6"	30,900 ft lbs	1660 lbs

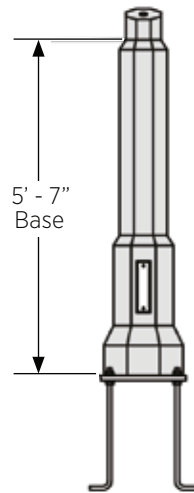
6.3" top OD across the flats



Shaft cross section detail



Base plate prestressed to pole



Elevation See recommended "capping detail"

Specifications - Use Centrecon specifications

Colors and finishes - See Centrecon color selection guide

Luminaire mounting - See mounting options section for more information

Anti-graffiti and sealer - Optional coatings are available for added protection